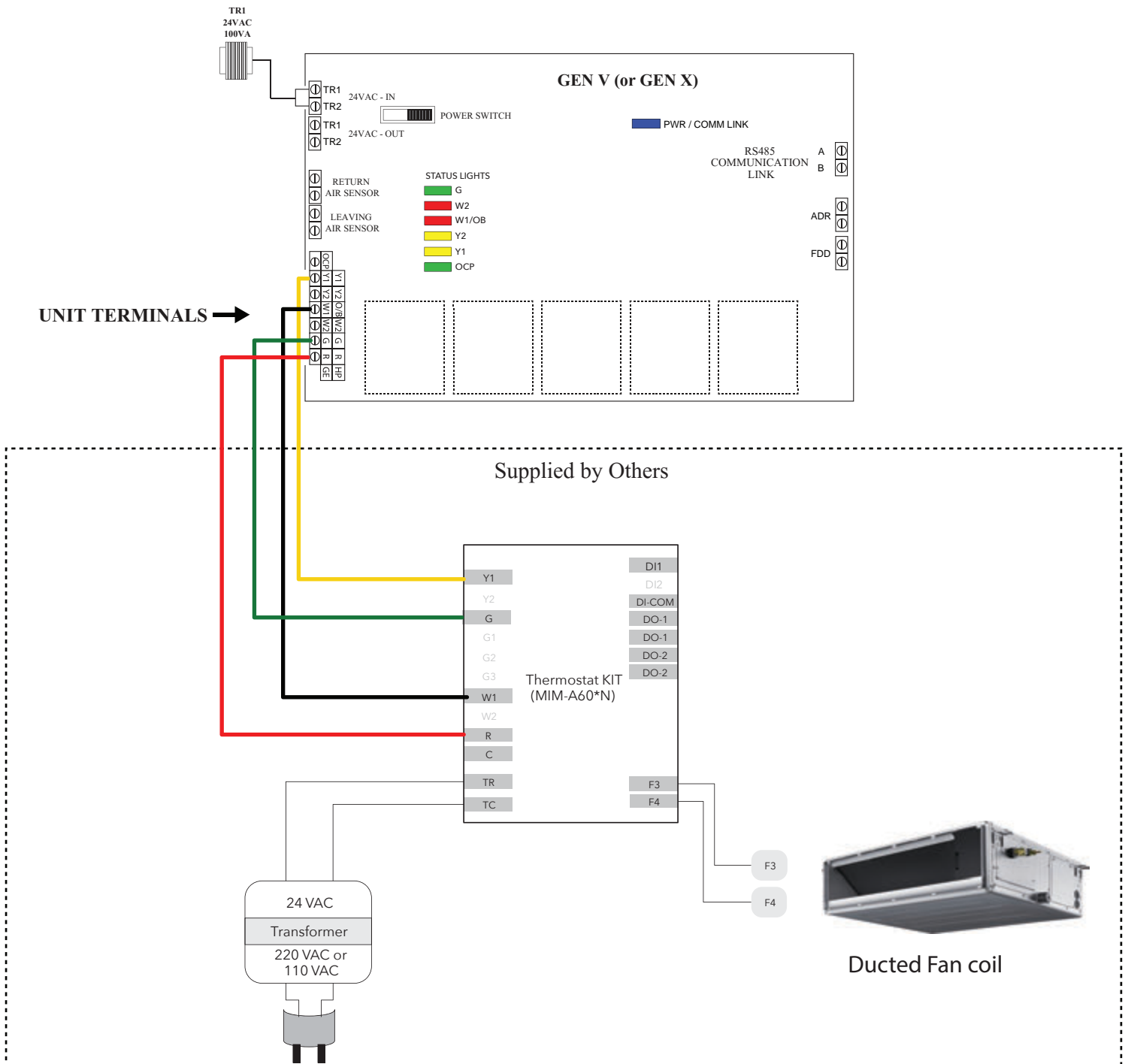


SAMSUNG - MIM-A60UN

Thermostat Interface Wiring Diagram



NOTE:

- Follow all of Samsung's installation instructions for the MIM-A60UN.
- The GEN V/GEN X & the thermostat interface are powered by separate 24 VAC transformers.
- "C" common from the thermostat interface is NOT connected to the GEN V/GEN X controller.