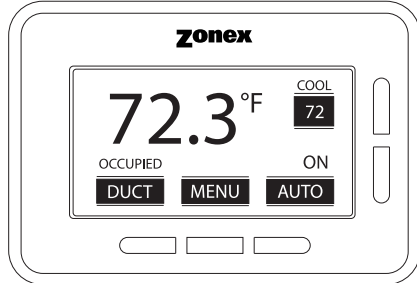


STAND-ALONE MODULATING DAMPER - CONTROLLED WITH AUTO CHANGEOVER WIRELESS PROGRAMMABLE THERMOSTAT

WIRELESS ZONE THERMOSTAT



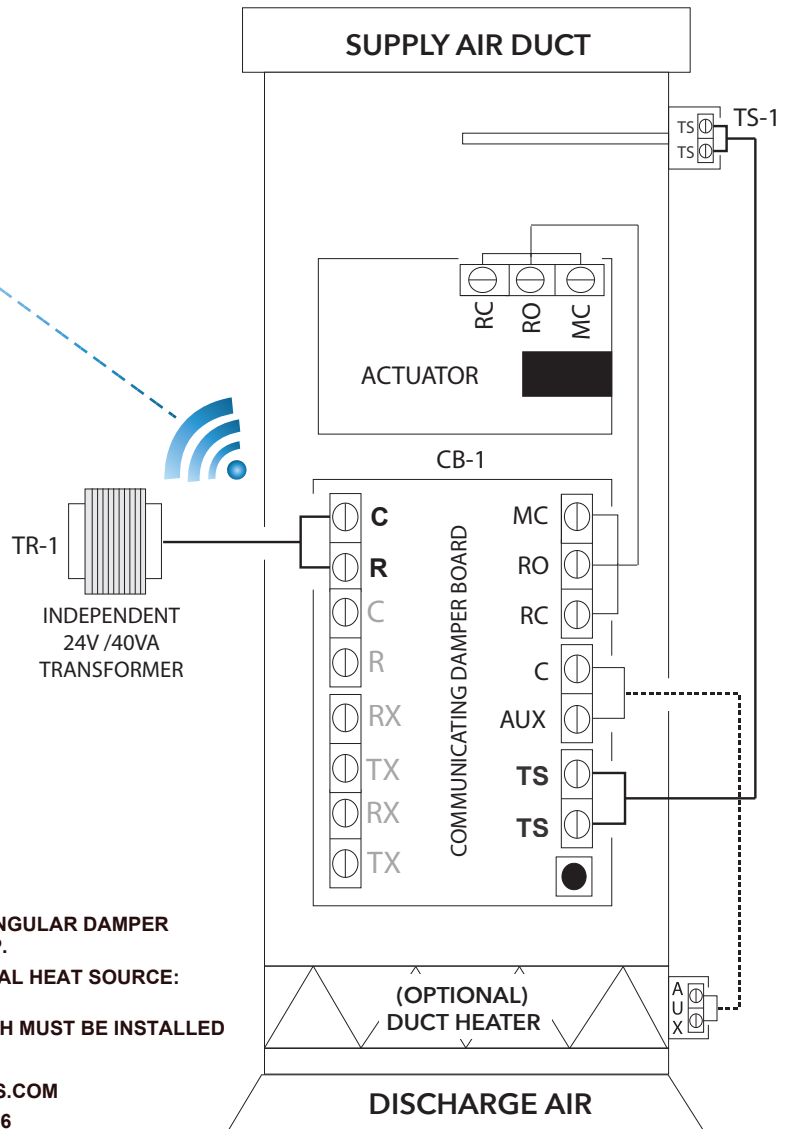
T-1

ZONEX SubZone		
		DESCRIPTION
THERMOSTAT	T - 1	SUBZONE WIRELESS STAT
TRANSFORMER	TR - 1	SYSTEM POWER 24 V - 40 VA
LAT SENSOR	TS - 1	DUCT TEMPERATURE SENSOR
CONTROL BOARD	CB - 1	CONTROLLER and ACTUATOR

TERMINAL CONNECTIONS	
SUBZONE CONTROLLER and ACTUATOR	
R	24 VAC POWER INPUT
C	24 VAC POWER COMMON
RO	DAMPER RUN OPEN SIGNAL
RC	DAMPER RUN CLOSED SIGNAL
MC	24 V MOTOR COMMON
TS	DUCT TEMPERATURE SENSOR
AUX	OPTIONAL AUXILIARY HEAT

NOTES: PROVIDE MODULATING ZONEX ROUND OR RECTANGULAR DAMPER or D-Fuser DESIGNED TO SUPPORT UP TO 1.75" S.P.
 AUX CONTACTS USED TO CONTROL SUPPLEMENTAL HEAT SOURCE:
 I.E. BASEBOARD OR RADIANT PANEL
 IF ELECTRIC HEAT IS USED AN AIR PROVING SWITCH MUST BE INSTALLED

VISIT OUR ON-LINE CATALOG AT ZONEXPRODUCTS.COM
 FOR APPLICATIONS ASSISTANCE CALL 800 228 2966



SubZone

Stand-Alone Modulating Damper
 Controlled with Auto Changeover
 Programmable Wireless Thermostat



WIRELESS THERMOSTAT