

Subzone

Stand – Alone or floating zone Modulating Damper
Controlled with Programmable Auto Changeover



WIRELESS THERMOSTAT

SAY NO to
OVER-HEATED OR **OVER-COOLED** ROOMS



THE PROBLEM SOLVER

Designed for over-conditioned areas

Your low cost solution to the problem of over heated or over cooled rooms



≡ DID YOU KNOW?

You can use the Subzone Wireless
Thermostat to Control your own Temperature

Let's put the comfort back in your hands

Ask your HVAC specialist about Subzone and other Zonex temperature control products
Simple and affordable zoning and controls solutions since 1975



SubZone

Stand-Alone or Floating Zone
Modulating Damper Controlled with Auto Changeover Programmable

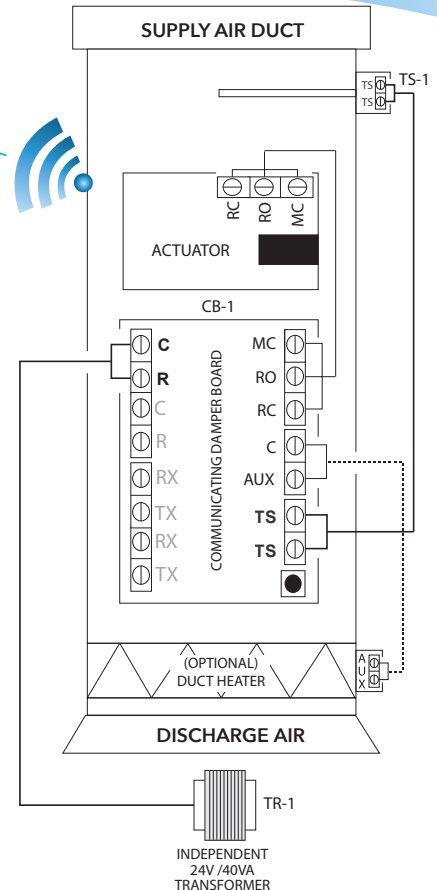
WIRELESS THERMOSTAT

APPLICATION AND OPERATION

The SubZone is a battery powered auto changeover programmable thermostat that communicates via an RF wireless signal to a damper control module located on a fully modulating round or rectangular damper or D-Fuser. The system is designed for over-conditioned areas and prevents over-heating and over-cooling of individual or stand alone zones.

Auto changeover operation allows the SubZone thermostat to change from a cooling to a heating thermostat automatically. A duct sensor is included and installed upstream of the damper to determine the temperature in the duct. If the SubZone thermostat is calling for cooling and cool air is available in the duct the damper will modulate open. A heating call will close the damper. If the sensor determines warm air is available in the duct and the thermostat is calling for heat the damper will modulate open. The SubZone system senses the duct temperature and compares it to the set point vs. room temperature providing warm or cool air as required. If the thermostat is not calling for heating or cooling the damper will modulate to 40% for ventilation.

The SubZone allows you to effectively control problem areas by controlling the existing air supply to the problem room or zone. This versatile problem solver is also designed to control supplemental or auxiliary heating devices.



Zonex auto changeover programmable thermostat is designed to control and modulate a stand alone diffuser or damper. Zonex offers 600 unique sizes of round and rectangular dampers for your commercial applications.

SUBZONE FEATURES

- ◆ Auto Changeover 7-day Programmable
- ◆ Control Fully Modulating Dampers
- ◆ Display Duct Temp at the Stat
- ◆ Adjustable Aux or Reheat Operation
- ◆ F or C Temperature Operation
- ◆ Single Set Point for Easy End User Operation
- ◆ Wireless
- ◆ Setpoint lock
- ◆ Auto / Off switch
- ◆ Non volatile memory retains stored set points, time, date, and schedules
- ◆ Slave capability – up to 3 dampers per stat



comfort you control

(800) 228-2966 | zonexproducts.com

Quick Quotes
click here

SubZone solves the problem of over-heated and over-cooled rooms for your customers