

# SAMOD II

## THE PROBLEM SOLVER



### ADD A SAMOD WITH A FULLY MODULATING DAMPER

#### LOW COST SOLUTION TO THE PROBLEM OF OVER HEATED OR OVER COOLED ROOMS

Zonex Systems direct digital control auto changeover thermostat is designed to control and modulate a stand alone Damper or D-Fuser in commercial applications. Designed for over-conditioned areas, the thermostat senses the duct temperature and compares it to the heat/cool set point vs. room temperature and modulates the damper for the correct volume of air.

The thermostat includes a duct sensor installed upstream of the damper and sends the duct temperature to the thermostat via 1 - 18ga. 2 conductor thermostat wire.

SAMOD II includes auxiliary heat output.

- **STAND-ALONE (MODULATING DAMPER) THERMOSTAT**
- **AUTO CHANGE OVER OPERATION**
- **AUXILIARY HEAT CONTROL**
- **REMOTE SENSOR ABILITY**
- **OPTIONAL DDC CONTROL**

### For A QUICK QUOTE

On The SAMOD or other Control Systems

Go To [ZONEXCONTROLS.COM](http://ZONEXCONTROLS.COM) or Call (800) 228-2966  
(Click Here)



<u>Part No.</u>	<u>Description</u>
SAMOD	Stand alone modulating damper thermostat with duct sensor
SAMODRS	Stand alone modulating damper thermostat, with duct and remote sensor

# SAMOD - *Modulating Damper Control*

Zonex Systems direct digital control (DDC) auto changeover thermostat is designed to control and modulate a stand alone diffuser or damper in commercial applications.

The 24 volt SAMOD thermostat displays room temperature using a large LCD display. The display is illuminated and easy to read.

This dual set point thermostat is equipped with separate heat and cool set points. Each set point is adjustable using the push buttons located on the cover of the thermostat

The SAMOD is easy to calibrate in the field and provides an ON/OFF switch. Factory default set points are; 70° for Heating and 75° for Cooling.

The thermostat includes an accurate duct sensor. The sensor is installed upstream of the damper. The sensor sends the duct temperature to the thermostat via field supplied 18 ga. Unshielded wires.

The SAMOD allows you to effectively control problem areas (with erratic temperatures) by controlling the existing air supply to the problem room. The SAMOD will also control supplemental or auxiliary heating devices when required.

## Features:

Control: Fully modulating

Change over duct sensor included

Temperature setting: Digital push button

Display: LCD

Min/Max Adjustments at the damper

Range: 55 – 95 degrees F.

Voltage: 24 VAC

Dimensions: Width 2.875", Height 4.5", Depth 1"

Color: Off White

Shipping weight: 1 lb.

No batteries required

Slave capability: Up to 3 dampers off each stat

Available with a remote sensor

The SAMOD has built in auto changeover set points. These set points tell the thermostat to change from a cooling to a heating thermostat and back again when necessary.

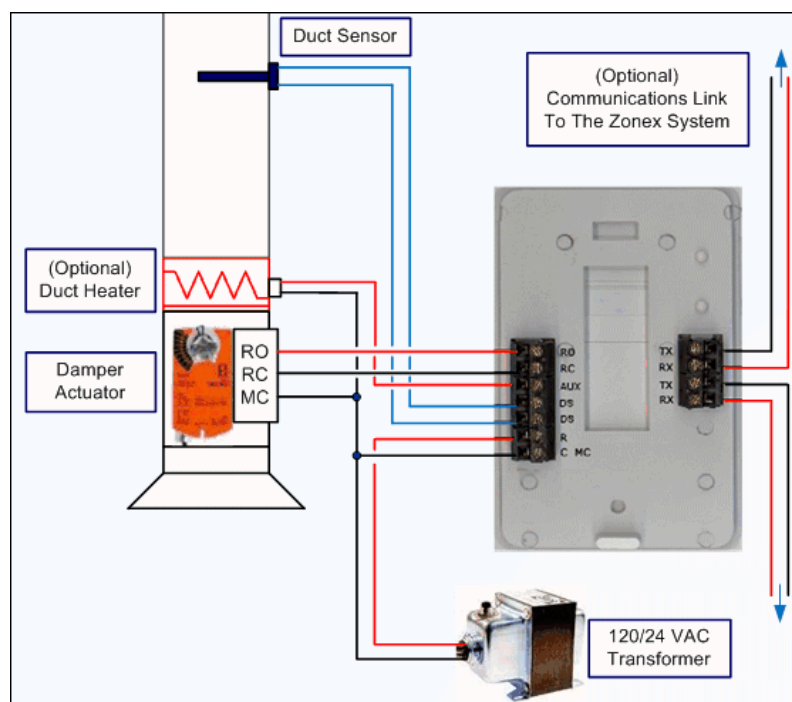
If the duct temperature is a 7° above the room temperature, the thermostat will operate as a heating thermostat. On a heating call the thermostat will modulate the damper towards the open position, a cooling call will close the damper.

If the duct temperature is 3° below the room temperature, the thermostat will operate as a cooling thermostat.

When the duct temperature is between the changeover set points, the damper will modulate to provide ventilation and circulation to the space.

The duct temperature is easily displayed at the thermostat by pressing two buttons on the cover, to review system status.

The SAMOD also controls supplemental heating sources. The auxiliary heat output will initiate when room temperature falls 2° below the heat set point, and will turn off at set point.



Note: SAMOD operates only with the ST-series of Dampers Manufactured by Zonex Systems