

WST- ROUND MODULATING DAMPER

SUBMITTAL



WST **Round Modulating** **Supply Damper**

***Controlled by Wireless Programmable
Thermostat**

DESCRIPTION

The **WST** is a medium pressure power open, power close modulating, pressure dependent supply damper. The damper is equipped with a damper board designed to support and communicate with a Zonex wireless programmable thermostat. The dampers are available from 6" – 18" round, with a maximum pressure differential of 1.75" W.C.

WST dampers feature an elliptical blade for linear air volume delivery throughout the dampers range of travel.

The 6" – 10" damper cylinders are fabricated from 22 gauge steel; the 12" – 18" cylinders from 20 gauge steel. Each cylinder features two rolled beads, which provide maximum structural integrity. The trailing end is crimped for ease of installation. A positive air seal is accomplished through use of a high density foam gasket around the blade perimeter. The damper blade is bolted to the hexagonal damper shaft.

WST dampers feature 24V ac, full stall motors, which do not require use of end switches to terminate travel. Each WST is powered and controlled from its respective wireless zone thermostat.

WST dampers are factory pre-wired with wireless damper controller that communicates with Zonex Wireless Thermostats. Damper controller energizes damper operation and Auxiliary or supplemental Heat operations based on wireless communications with thermostats. Each actuator hat section is insulated to protect from condensation, damper provides minimum open and closed stops for air balance or achieve minimum CFM requirements.

WST dampers can be slaved or wired in parallel to provide additional zone CFM capacity if required.

TECHNICAL DATA

Electrical:

Supply Voltage: 24VAC

Power consumption: 2 VA maximum

Environmental:

Operating temperature: 20 to 125° F (-7 to 52° C)

Operating humidity: 10-95% non-condensing

Storage temperature: -20 to 130° F (-29 to 54° C)

General:

Shell: 20-22 gauge cold rolled galvanized steel

Shaft: 1/2" dia. aluminum, hexagonal

Bushings: Celcon

Actuator: Power Open/Power Close modulating control

Stroke: 60°

Pressure drop: < .04" W.C. @ rated CFM

Communication:

Proprietary wireless network protocol, with up to 100' transmission range.

Notes:

*Compatible only with GEN III VVT and SubZone wireless systems.

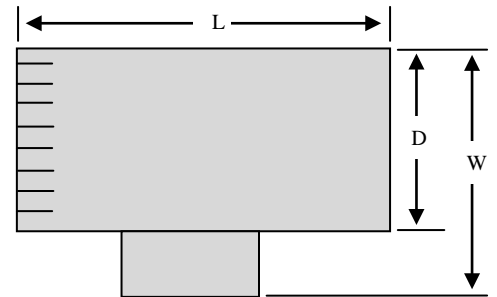
TYPICAL CAPACITIES*

	Diameter	Nominal CFM	Velocity FPM	ΔP "WC
WST06	6"	110	540	.014
WST08	8"	250	700	.015
WST10	10"	410	750	.015
WST12	12"	660	850	.015
WST14	14"	1000	925	.035
WST16	16"	1450	1070	.036
WST18	18"	2000	1100	.036

* Capacities are for reference only. Duct friction rate should be established by use of ACCA Manual D, Manual Q or equivalent.

Dimensional Data

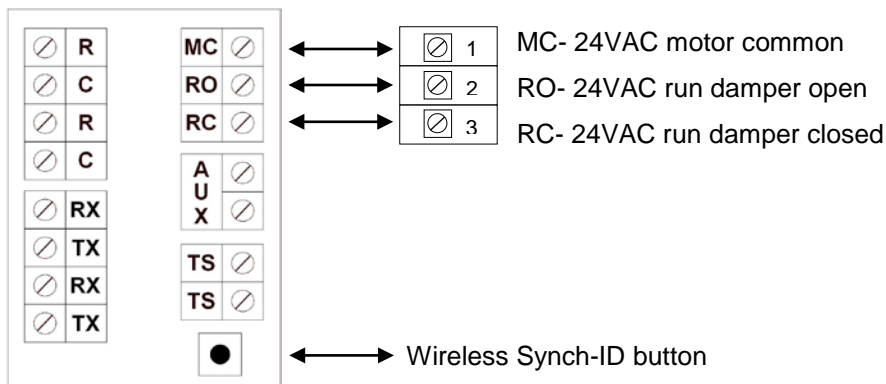
	Diameter	Length	Width
WST06	6"	10"	9"
WST08	8"	10"	11"
WST10	10"	12"	13"
WST12	12"	14"	15"
WST14	14"	16"	17"
WST16	16"	18"	19"
WST18	18"	23 1/2"	21"



ORDERING INFORMATION

Part No.	Description
WST06	Modulating - Medium pressure zone damper, round, 6" diameter.
WST08	Modulating - Medium pressure zone damper, round, 8" diameter.
WST10	Modulating - Medium pressure zone damper, round, 10" diameter.
WST12	Modulating - Medium pressure zone damper, round, 12" diameter.
WST14	Modulating - Medium pressure zone damper, round, 14" diameter.
WST16	Modulating - Medium pressure zone damper, round, 16" diameter.
WST18	Modulating - Medium pressure zone damper, round, 18" diameter.

TERMINAL FUNCTIONS



TERMINAL CONNECTIONS

R - 24VAC power input
 C - 24VAC power common
 RO - Damper run open signal
 RC - Damper run closed signal
 MC - 24VAC motor common
 TS - Duct temperature sensor
 TS - Duct temperature sensor
 AUX - Auxiliary Heat
 RX - Data Receive
 TX - Data Transmit
 RX - Data Receive
 TX - Data Transmit