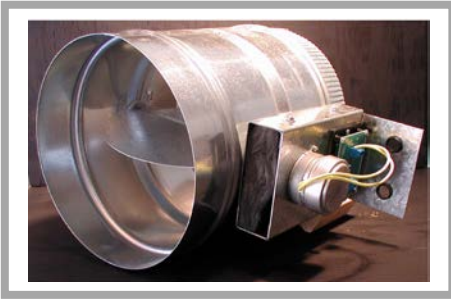


TR FAD ROUND FRESH AIR DAMPER

SUBMITTAL



TR FAD Round fresh air damper

DESCRIPTION

Each TR FAD is a two position, power open, spring return single blade fresh air damper. The dampers are available from 4" to 16". The TR FAD dampers are rated for a maximum pressure differential of .5" W.C.

The damper consists of galvanized steel and insulated hat section. Damper blade shafts are fully enclosed in Celcon bushings to reduce friction and ensure quiet operation.

All TR FAD dampers feature 24V ac, full stall motors, which do not require use of end switches to terminate travel. Each TR FAD is equipped with a motor terminal board, for positive field wiring.

TECHNICAL DATA

Electrical:

Supply Voltage: 24vac
Power consumption: 12 VA maximum
Input: 24vac

Environmental:

Operating temperature: -10 to 150° F (-23 to 66° C)
Operating humidity: 10-95% non-condensing
Storage temperature: -10 to 150° F (-23 to 66° C)

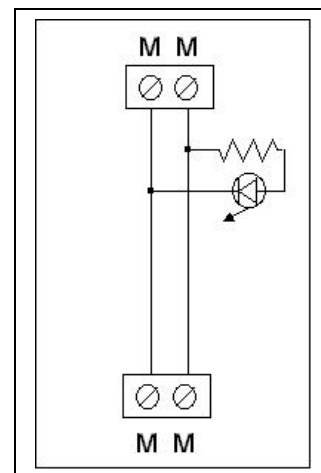
General:

Frame: 20 gauge galvanized steel
Actuator: Synchron
Stroke: 90° full close

ORDERING INFORMATION

Part No.	Description
TR FAD 04	Low Pressure 4" round fresh air damper
TR FAD 05	Low Pressure 5" round fresh air damper
TR FAD 06	Low Pressure 6" round fresh air damper
TR FAD 07	Low Pressure 7" round fresh air damper
TR FAD 08	Low Pressure 8" round fresh air damper
TR FAD 09	Low Pressure 9" round fresh air damper
TR FAD 10	Low Pressure 10" round fresh air damper
TR FAD 12	Low Pressure 12" round fresh air damper
TR FAD 14	Low Pressure 14" round fresh air damper
TR FAD 16	Low Pressure 16" round fresh air damper

TERMINAL FUNCTIONS



MM- 24vac input to FAD damper motor.
Power open MM- 24vac output to FAD damper motor

Rev 1/11/16