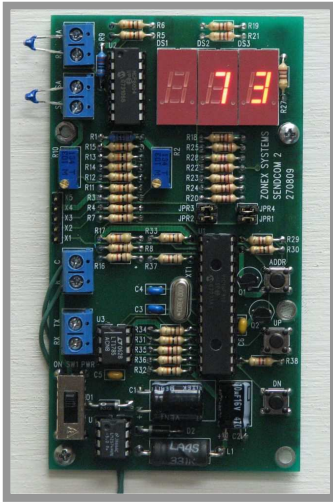


SENDCOM COMMUNICATING TEMPERATURE SENSOR

SUBMITTAL



SENDCOM Communicating Duct Temperature Sensor

DESCRIPTION

The Zonex Systems **SENDCOM** is a microprocessor based, communicating air duct temperature sensor. SENDCOM sensors are applied in stand-alone systems only.

The SENDCOM is used to display the supply and return air temperatures of a single HVAC unit. The temperatures are displayed within the *ZonexCommander* software on the *Review* page.

TECHNICAL DATA

Electrical:

Supply Voltage: 24vac

Power Consumption: 20 VA max.

Inputs:

- LAT – 5V DC thermistor temperature sensors
- RX TX - communication link terminal
- R & C - 24vac power

Environmental:

Operating temperature: 25° to 125°F (0° to 71°C)

Operating humidity: 5% to 95%, non-condensing

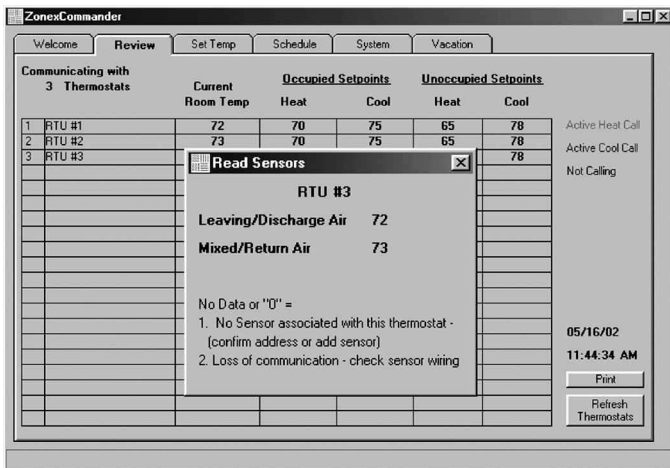
Storage temperature: 0° to 160°F

General:

Communication: RS-485 twisted pair or shielded twisted pair (Belden 8740 or 8450)

Enclosure: NEMA 1

Enclosure dimensions: 7" H x 7" W x 2½" D



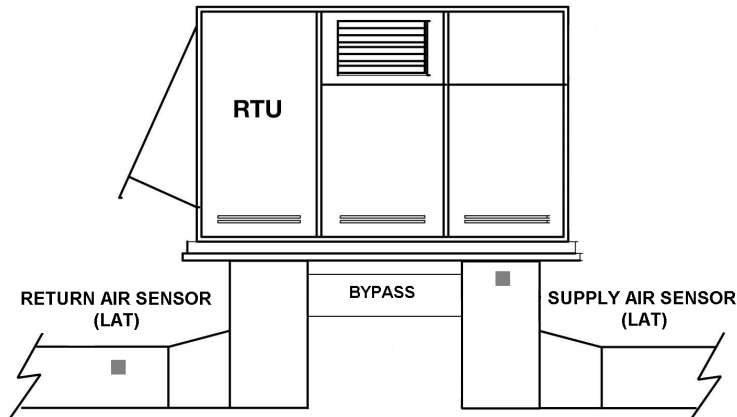
Double Click on **Current Room Temp** to display duct temperatures.

Rev 4/2/08

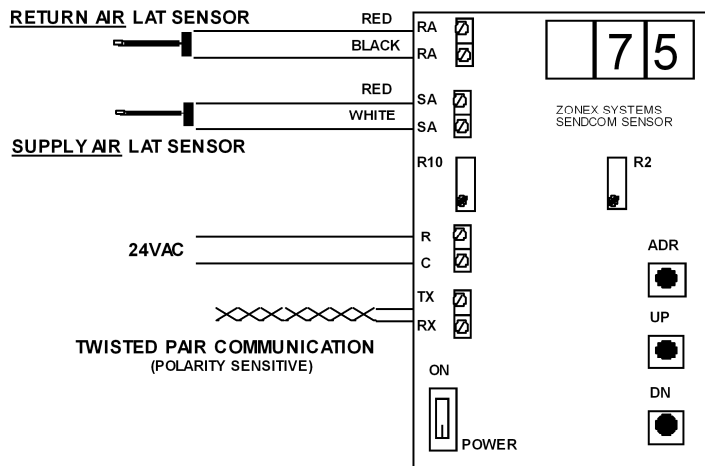
SENDCOM COMMUNICATING TEMPERATURE SENSOR

ORDERING INFORMATION

<u>Part No.</u>	<u>Description</u>
SENDCOM	Communicating temperature sensors



TERMINAL FUNCTIONS



SENDCOM Terminal Designations

TX – Data transmit
RX – Data receive

C – 24vac power common
R – 24vac power input

RA – Mixed/return air sensor input
RA – Mixed/return air sensor input
SA – Leaving/supply air sensor input
SA – Leaving/supply air sensor input

R10 RA – RA calibration
R 2 SA – SA calibration

SENDCOM Function buttons

ADR – Set and Access Address
UP – Increase address display number
DN – Decrease address display number
PWR – Power On-Off switch