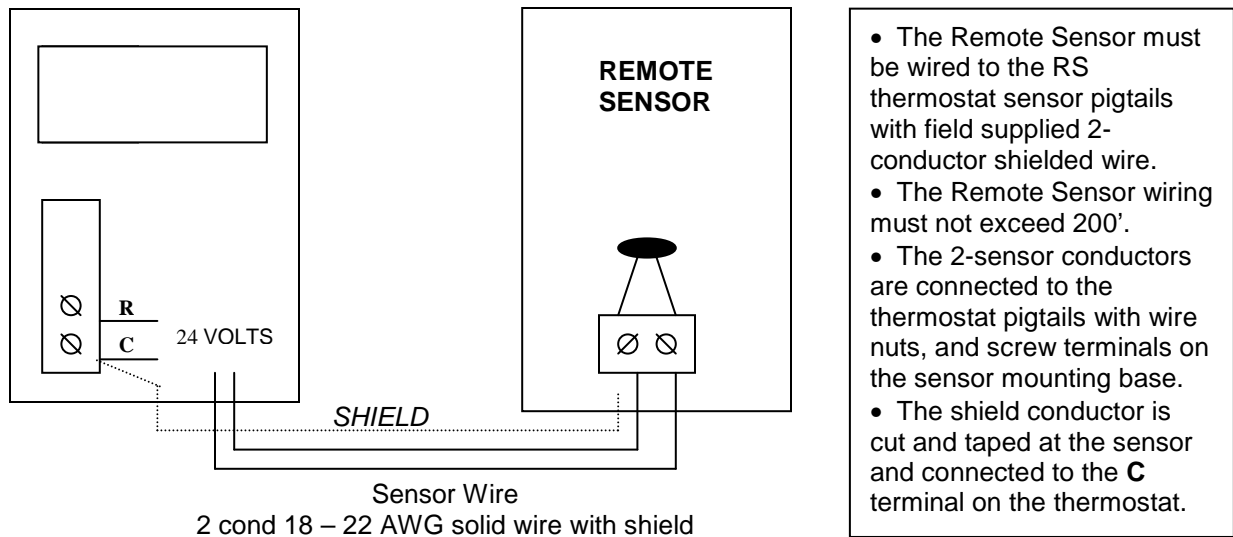


REMOTE SENSOR WIRING DIAGRAMS

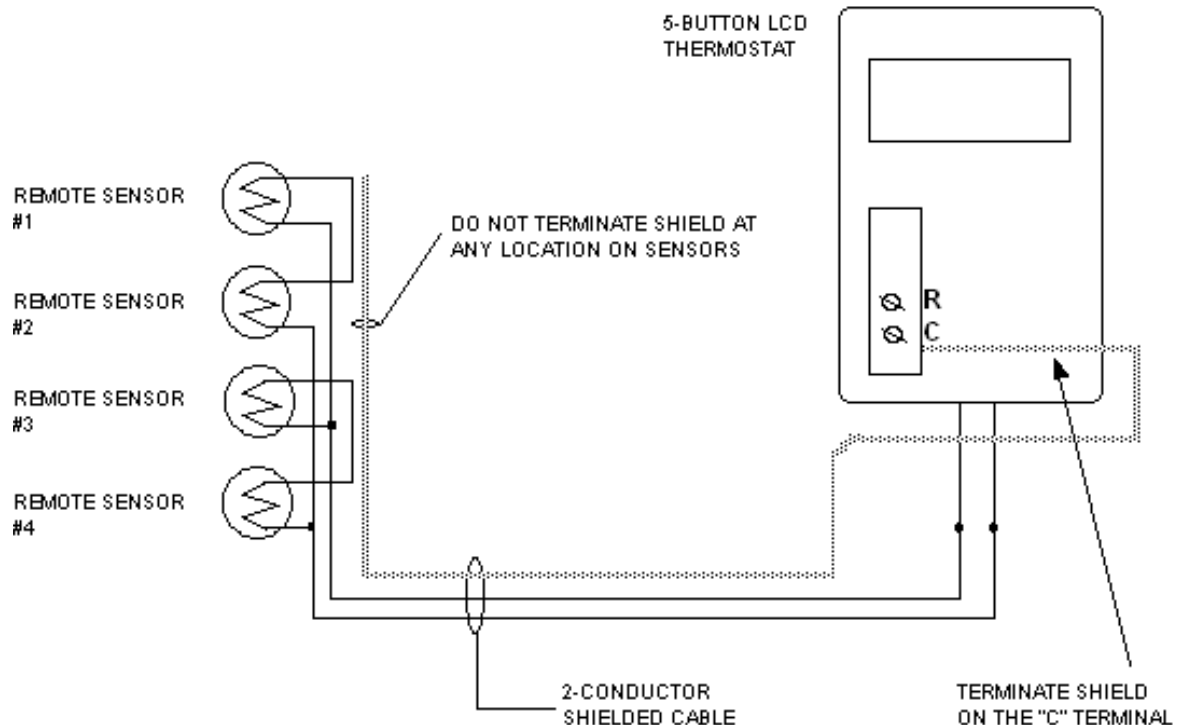
SINGLE REMOTE SENSOR



- The Remote Sensor is designed to be installed with Zonex Systems thermostats only: DIGICOMRS DIGIHPRS ModStatRS and MODS2RS.
NOTE: The thermostat must indicate **RS** on the end of the model designation to be compatible.
- To remove the sensor cover, use a 1/16" Allen wrench on bottom set screws.

REMOTE MULTIPLE SENSOR AVERAGING

This diagram represents a typical installation where 4 remote sensors are installed with one thermostat for temperature averaging



Rev 3/26/08