

# ZSTAT THERMOSTAT

## SUBMITTAL



## **ZSTAT** *Communicating / Modulating Wired Zone Thermostat*

### DESCRIPTION

The **ZSTAT** is a microprocessor based, auto changeover, communicating zone thermostat. The ZSTAT controls modulating medium pressure and heavy duty dampers. The ZSTAT communicating zone thermostat is used with the **GEN X** system, when wired zone thermostats are required.

The ZSTAT controls and modulates zone dampers based on variance from set point to a position that will match the supply load to the demand requirement. When the HVAC unit is running, if a zone thermostat is not calling or is calling for the opposite mode, its corresponding damper fully closes. When the HVAC unit is not running, the thermostats open to the Vent mode to provide ventilation, if the indoor blower fan is running continuously.

The ZSTAT is easy to configure and make manual adjustments with the function buttons located on the front cover or remotely from the GEN X Mobile app.

The space ambient temperature is continuously displayed with a range of 55° to 95° F. Programmed setpoints can be manually adjusted or electronically locked through the program to provide limited manual set point adjustment. Adjustable 2-8 hour override is provided for after hour operation, with a touch of a button. The thermostat can be easily field calibrated, if required.

The ZSTAT can be field configured for baseboard and reheat operations, including Fan Powered Boxes.  
**NOTE:** An air proving switch must be used for this application; field supplied.

### TECHNICAL DATA

#### **Electrical:**

**Supply voltage:** 24vac

**Power consumption:** 4va maximum

#### **Input:**

- 24vac
- Platinum Thermistor

#### **Outputs:**

- RO RC Triacs - 24vac @ .3 amp max
- W1 Relay - 24vac @ 1.0 amp maximum

#### **Environmental:**

**Operating Temperature:** 35° to 130° F (2° to 54° C)

**Operating Humidity:** 5 to 95% non-condensing

**Storage Temperature:** 0° to 150° (-18° to 66° C)

#### **General:**

**Dimensions:** 3 1/2" H x 4 1/2" W x 3/4" D

**Temperature Display Range:** 55° to 95° F

**Accuracy:** +/- 0.8° F

**Memory:** Non-volatile EEPROM

**Display:** 128x64 Graphic LCD

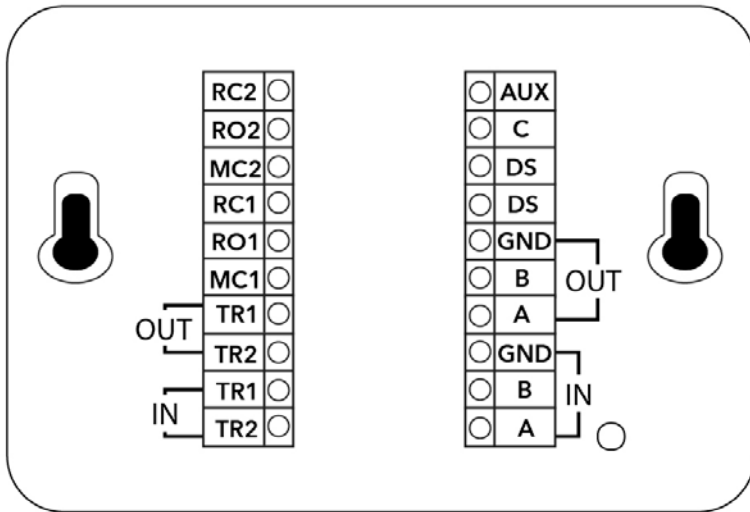
#### **Communication:** RS485

Zonex – 3- Wire Twisted Pair  
Part # 3-TWP

Rev 12/26/17

# ZSTAT THERMOSTAT

## TERMINAL FUNCTIONS



### 24V Terminal Block

RO2 – Slave Damper – Run Open  
RC2 – Slave Damper - Run Close  
MC2 – Slave Damper - Damper common  
RO1 – Run Open, damper  
RC1 – Run Close, damper  
MC1 - Damper common  
AUX – Reheat/AUX Heat Fan  
C- AUX common  
TR1- 24vac power In and Out  
TR2- 24vac common In and Out  
(18 ga. Minimum wire size)

### Communication Terminal Block

A – Data Transmit  
B – Data Receive  
GND- Ground  
A – Data Transmit  
B – Data Receive  
GND- Ground  
(Zonex 3-Wire Twisted Pair- Part # 3-TWP)

## FEATURES

- Auto Changeover
- Control Fully Modulating Dampers
- Adjustable Aux or Reheat Operation
- F or C Temperature Operation
- Control round, rectangular dampers or D-Fuser
- Temperature Calibration
- Set point lock
- Auto / Off switch
- Non volatile memory retains stored set points.
- Slave capability – up to 3 dampers per stat
- Minimum or Maximum position adjustment

## ACCESSORIES

### Part No.

### Description

ZSTATRS  
ZKITX

ModStat thermostat with remote sensor  
Thermostat and actuator as a package for VVT, and other, upgrade.