

# WRDX - HEAVY DUTY ROUND MODULATING SUPPLY DAMPER

## SUBMITTAL



## **Heavy Duty Round Modulating Supply Damper**

**\*Controlled by Wireless Programmable Thermostat  
Part #WRDX**

## DESCRIPTION

The **WRDX** is a fully modulating pressure dependent supply air damper. The damper is equipped with a communicating damper board (CDBX) designed to support and communicate with a Zonex wireless programmable thermostat. The dampers are available from 20", 22" and 24" round, with a maximum pressure differential of 1.75" W.C.

WRDX dampers feature a round frame and triple V blades for automatic air control.

Damper cylinders and blades are fabricated from 16 gauge steel. Each damper is built with low leakage seals and stainless steel bearing.

WRDX dampers feature 24V ac, full stall motors which do not require end switches. Each damper is controlled by its respective zone thermostat.

WRDX dampers can be paralleled or slaved to provide additional CFM capacity when required.

Damper actuators can be easily removed from damper for servicing and motor inspection. Each actuator hat section is insulated to prevent condensation. The actuator allows for minimum and maximum stops for air balance and minimum CFM requirement.

## TECHNICAL DATA

### **Electrical:**

**Supply Voltage:** 24vac

**Power consumption:** 2 VA maximum (1.5W)

### **Environmental:**

**Operating temperature:** 25 to 180° F (-32 to -83°)

**Operating humidity:** 10-95% non-condensing

**Storage temperature:** -25 to 180° F (-32 to -83°)

### **General:**

**Shell:** 16 gauge cold rolled galvanized steel

**Shaft:** 1/2" dia. aluminum, hexagonal

**Bushings:** Synthetic

**Actuator:** Power Open / Power Close

**Stroke:** 90°

**Pressure drop:** < .04" W.C. @ rated CFM

### **Communication:**

Proprietary wireless network protocol, with up to 100' transmission range.

Communicating Damper Board (CDBX) maybe mounted remotely from the damper to increase transmission range, if required.

### **Notes:**

\*Compatible only with GEN X and Retro-Zone wireless systems.

# Typical Capacities

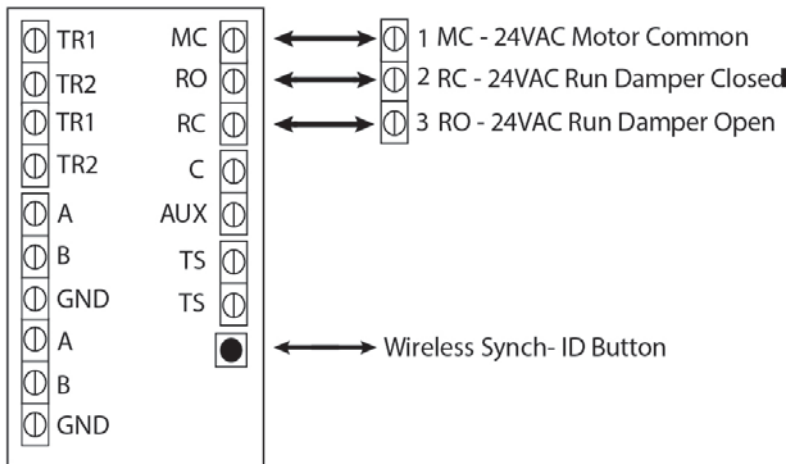
	Diameter	Nominal CFM	Velocity FPM	ΔP "WC
WRDX20	20"	2600	1200	.10
WRDX22	22"	3250	1250	.10
WRDX24	24"	4100	1350	.10

\* Capacities are for reference only. Duct friction rate should be established by use of ACCA Manual D, Manual Q or equivalent.

## ORDERING INFORMATION

Part No.	Description
WRDX20	Medium pressure zone damper, round, 20" diameter.
WRDX22	Medium pressure zone damper, round, 22" diameter.
WRDX24	Medium pressure zone damper, round, 24" diameter.

## TERMINAL FUNCTIONS



### **TERMINAL CONNECTIONS**

- TR1 - 24VAC power input In / Out
- TR2 - 24VAC power common In / Out
- RO - Damper run open signal
- RC - Damper run closed signal
- MC - 24VAC motor common
- TS - Duct temperature sensor
- TS - Duct temperature sensor
- AUX - Auxiliary Heat
- A - Data Receive In / Out
- B - Data Transmit In / Out
- GND- Signal Wire In / Out