

G-STAT PROGRAMMABLE COMMUNICATING THERMOSTAT



SUBMITTAL



G-STAT **Controls Stand Alone units** **Programmable Communicating** **Gas/Electric / Heat Pump Thermostat**

DESCRIPTION

The Zonex Systems **G-STAT** is a microprocessor based, auto changeover, wired programmable communicating stand alone thermostat. The universal stand alone communicating thermostat operates and communicates with a GEN II-VVT controller.

The G-STAT is very easy to configure for Gas/ Elec (2-stage Cool / Heat) or Heat Pump (2-stage Cool / 3-stage Heat) configuration. The G-STAT is hard wired to the unit and communicates back to the control board via the RS-485 communication link.

The G-STAT is equipped with Supply and Return air sensors to monitor duct temperatures.

The G-STAT thermostat features an onboard thermistor for precise temperature measurement. In the event of power loss, the Heat and Cool set points are stored in a non-volatile memory, without the need for battery backup.

The ambient space temperature is continually displayed with large, easy-to-read numbers. The temperature display range is 45° to 95° F. FAN mode, Heat or Cool set points and operation modes are all indicated on the display.

Programmed set points can be manually adjusted at the thermostat or electronically locked and controlled through a mobile device, to provide limited manual set point adjustment. Two-hour override is provided for after-hours temporary operation with a touch of a button.

TECHNICAL DATA

Electrical:

Supply Voltage: 24vac

Power consumption: 4 VA maximum

Input:

- 24vac
- platinum Thermistor

Output:

- Triac, 24vac @ 1A

Communication: RS-485

3 Wire Twisted pair

Environmental:

Operating temperature: 35° to 130° F (2° to 54° C)

Operating humidity: 5-95% non-condensing

Storage temperature: 0° to 150° F (-18° to 66° C)

General:

Dimensions: 3 1/2" H x 4 1/2" W x 3/4" D

Range: 45° to 95° F.

Accuracy: +/- 0.8° F.

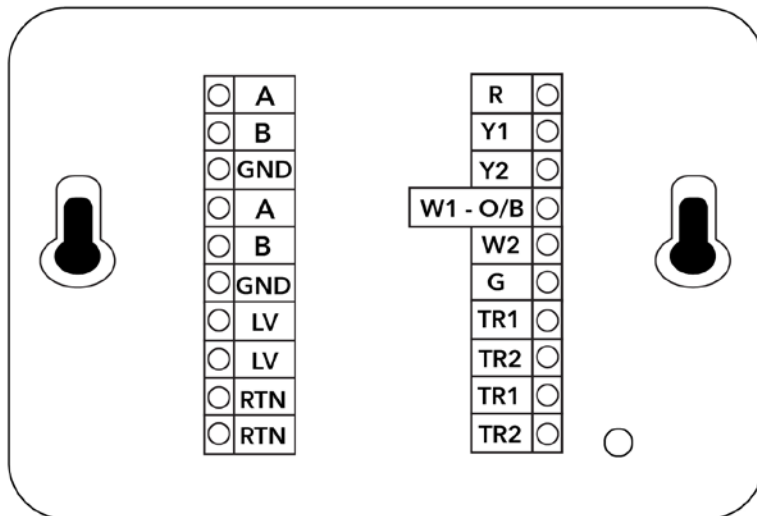
Memory: Non-volatile EEPROM

Display: 128x64 Graphic LCD

Rev 4/27/18

G-STAT PROGRAMMABLE COMMUNICATING THERMOSTAT

TERMINAL FUNCTIONS



Unit Terminal Block

Y1 - First stage cool
Y2 - Second stage cool
W1 / O/B - First stage heat or Reversing Valve
W2 - Second stage heat
G - Fan
R- 24v from the unit

24v from Independent Transformer

TR1 IN - 24vac power input
TR2 IN - 24vac power common
TR1 OUT - 24vac power input
TR2 OUT - 24vac power common
18 ga. Minimum wire size

Communication Terminal Block

A IN- Data Transmit
B IN - Data Receive
GND IN- Ground Wire
A OUT - Data Transmit
B OUT - Data Receive
GND OUT- Ground Wire
Use Zonex 3 Wire Twisted Pair

Supply and Return Air Terminal Block

RTN- Return Air
LV- Supply Air

FEATURES

- Gas /Elect (2C/2H) or Heat Pump (2C/3H) stand alone control
- Emergency Heat operation
- Auto Changeover 7-day Programmable
- Attractive design
- No batteries required
- Accurate temperature control
- Electronic Lock feature
- Configurable fan operation for Occupied mode
- Supply and Return Air monitoring
- F° or C° Temperature Operation
- Auto / Off switch
- Non-volatile memory: Retains temperature set points
- RS-485 communication
- Function buttons on front cover for easy access