

DIGITRACT 4

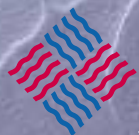
"4" Perfect Zone Control
"4" Home or Business Applications



" 4 " CONTRACTORS SELLING COMFORT, DIGITRACT DELIVERS!

- 4-zone auto changeover system, single- or two-stage
- Heat pump controller provides selectable fossil fuel control with optional outside air sensor for balance point temperature control
- Standard single stage gas/electric thermostats or standard heat pump thermostats for 2-stage compressor operation, plus auxiliary heat
- Initiate heating or cooling from any zone thermostat
- Purge mode
- Ventilation mode – energize fan from any thermostat
- On-board adjustable capacity control to protect compressor and heat exchanger
- Sophisticated capacity control allows you to control 2-stage equipment with single-stage thermostats!
- Simple home run wiring – 24-volt system
- Extensive line of round and rectangular supply and bypass dampers
- Use on any size equipment

**SOPHISTICATED
PERFORMANCE**
yet very contractor
friendly. Adjustable
setpoints allow you to
customize the system to
your specific application
or job.



zonex[®]
SYSTEMS

comfort you control

DigiTract Maximizes Your Customers' Comfort and Energy Savings

NOW YOU CAN FIELD-CUSTOMIZE EVERY APPLICATION

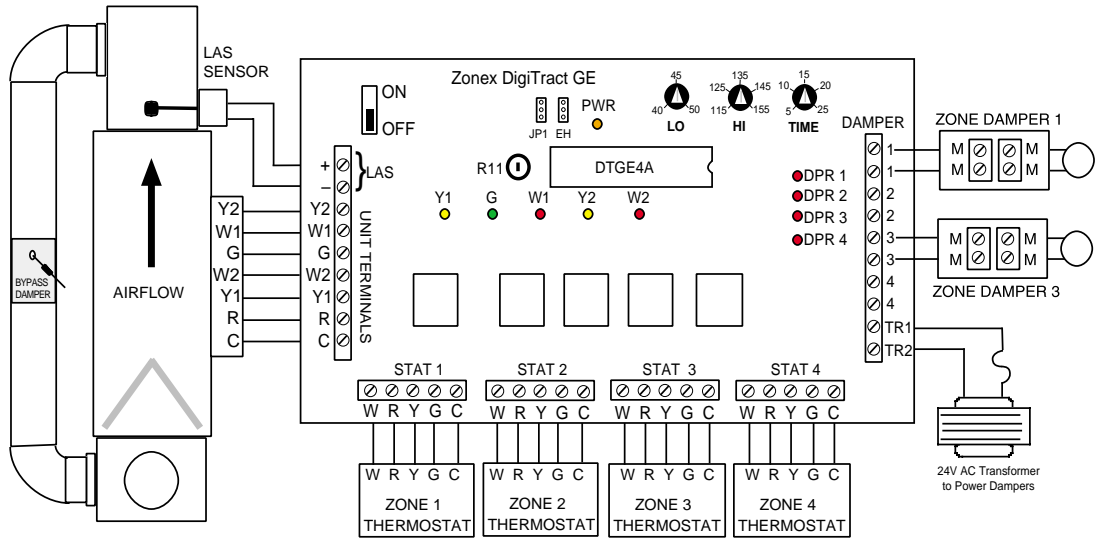
The DigiTract system is a popular choice for auto changeover Gas/Electric and Heat Pump applications where simplicity of installation and full-featured control is desired at an economical price. The DigiTract controller is applied to systems with up to four zones and include integrated capacity control based on supply air temperature. The Gas/Electric controller uses standard single stage thermostats for up to two stages of heating and cooling control. The Heat Pump controller uses standard Heat Pump thermostats for control of up to three stages of heat and two stages of cooling, including fossil fuel when selected.

The Heat Pump controller can be configured for integrated Fossil Fuel control, which eliminates extra relays, "Fossil Fuel Kits" and complicated time-consuming control wiring. An optional Outside Air Sensor is also available for "Balance Point" control.

The DigiTract controller has fully adjustable Heat and Cool limit setpoints, and mode changeover time can be adjusted from 5 to 25 minutes.

The DigiTract controller can be easily set up with our ZonexCommander digital communicating system to provide remote communications and scheduling through a standard Windows®-based computer via a dial-up modem, direct connect or through our new Iserver device using the Internet.

Gas/Electric
2-Stage
Heat/Cool
Part #DTGE4A

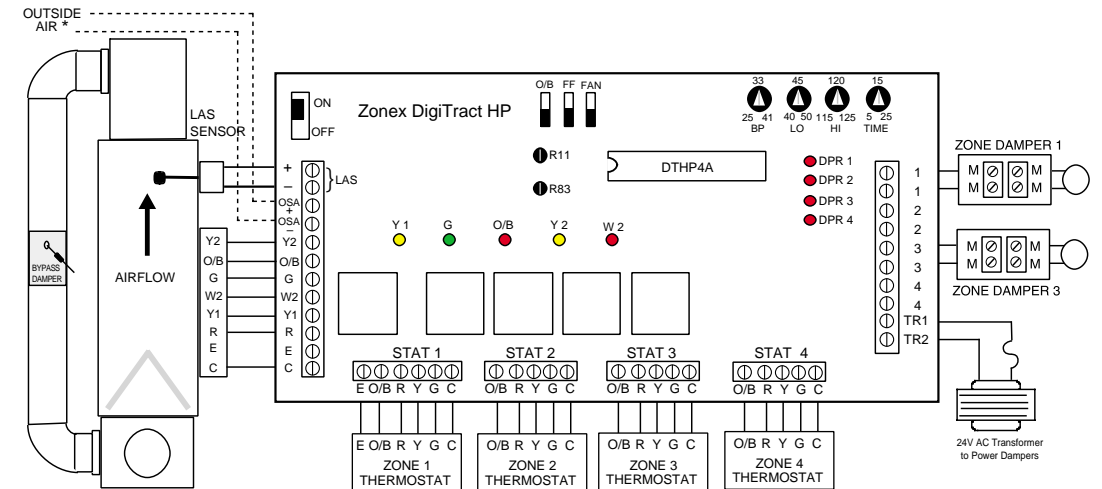


KEY UPGRADES INCLUDE:

- Adjustable changeover time from 5-25 minutes
- On-board adjustable capacity control for 2-stage heat and 2-stage cool (Gas/Electric) Cool temperature cut out is adjustable from 40 to 50° Heat temperature cut out is adjustable from 115 to 155° (Heat Pump) Heat Pump heat temperature cut out is adjustable from 115 to 125°

Simple wiring - easy operation
Use minimum 18 gauge for all wire.

Heat Pump
3-Stage Heat/
2-Stage Cool
with Integrated
Fossil Fuel
Control
Part #DTHP4A



* Use optional outdoor air sensor for balance point lock-out in fossil fuel mode



comfort you control

For more information call: **800-228-2966**
or visit our website at: www.zonexsystems.com
5622 Engineer Drive • Huntington Beach, CA 92649